

SL 350



FROZEN DICE



Self-contained ice maker - Sprayer system
Daily production up to 158 kg

• Position n°



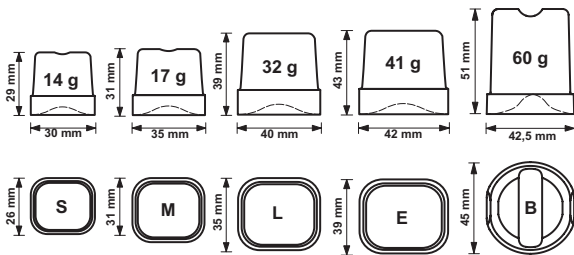
• Application fields

Hotel	●●●●●●●●●●	Fish market	●●●●●●●●●●
Restaurant	●●●●●●●●●●	Supermarket	●●●●●●●●●●
Fast food	●●●●●●●●●●	SPA	●●●●●●●●●●
Bar	●●●●●●●●●●	Medical	●●●●●●●●●●
Disco	●●●●●●●●●●	Industry	●●●●●●●●●●

• Features & Plus

- Full cube, compact and crystalline
- External structure AISI 304 Scotch Brite
- Adjustable Stainless Steel feet
- Removable and cleanable air filter
- Electromechanical functioning
- Air Cooling and Water Cooling systems
- Standard and special voltages
- Insulated retractable door
- ON-OFF switch
- Internal bin insulation HCFC free
- Conformity to RoHS directive
- Easy cleaning thanks to rounded surfaces
- Model in Tropical Class + 43 ° C

• Available dice size



• Prod. 24h

Air temp.	Water temp.	Prod. 24h kg
10° C	10° C	158
21° C	15° C	155
32° C	21° C	132

2 Years Warranty

subject to limitations

• Certifications available for this model



www.ntfice.it
info@ntfice.it



ntfice.it



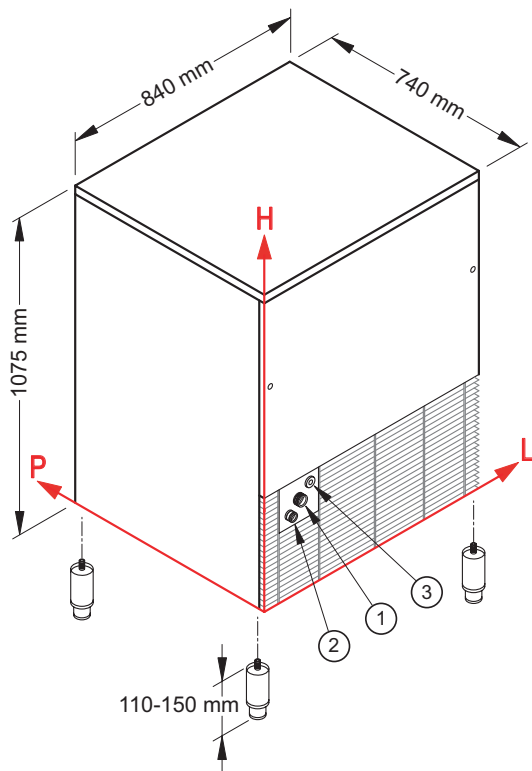
SL 350



FROZEN DICE



Self-contained ice maker - Sprayer system
Daily production up to 158 kg



• Connections

All measures are referred to the rear bottom-left corner (L-H-Ø)

- ① Water inlet:
141 mm - 290 mm - 3/4"
- ② Water outlet:
79 mm - 245 mm - 24 mm
- ③ Electrical connection:
186 mm - 326 mm

• Working conditions

- Location: Indoor

	Min	Max
Ambient temperature	+10° C	+43° C
Water temperature	+3° C	+32° C
Voltage	-10%	+10%
Water inlet pressure	1bar (14 psi)	6bar (84 psi)

• Technical information

Production in 24h	155 kg
Store capacity, up to	65 kg
Cooling system	A - W
Kind of cube	14-17-32-41-60 g
Refrigerant	R404A - R452A
Standard voltage	220-240 V ~ 50 Hz
Electrical consumption	1400 W
Fuse	16 A
Water consumption	A: 2,6 l/kg W: 13 l/kg
Sizes (L-P-H mm)	840 - 740 - 1075
Sizes with pack (L-P-H mm)	880 - 785 - 1245
Net weight	118 kg
Gross weight	138 kg
Finish	AISI 304 stainless steel, scotch brite

All the technical information must be considered at the following conditions:

Sizes without feet	Standard Cube (17 g)	Ambient temperature +21° C	Water temperature +15° C	Electrical consumption at +43° C (standard voltage)

Models and specifications are subject to change without notice
Rev. 02 - Issued September 2019



www.ntfice.it
info@ntfice.it



ntfice.it

