

SLT 180



FROZEN STONE



Self-contained ice maker - Pebble system
Daily production up to 96 kg

● Position n°



● Application fields

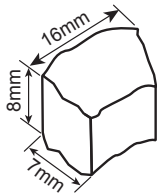
Hotel	●●●●●●●●●●	Fish market	●●●●●●●●●●
Restaurant	●●●●●●●●●●	Supermarket	●●●●●●●●●●
Fast food	●●●●●●●●●●	SPA	●●●●●●●●●●
Bar	●●●●●●●●●●	Medical	●●●●●●●●●●
Disco	●●●●●●●●●●	Industry	●●●●●●●●●●

● Features & Plus

- Compact and longlasting nuggets
- Low consumption (1 liter water / 1 kg ice) - aircooled vers.
- Electromechanical functioning
- External structure AISI 304 Scotch Brite
- Evaporator AISI 304, auger AISI 303 made
- Air Cooling and Water Cooling systems
- Standard and special voltages
- Insulated retractable door
- ON-OFF switch
- Dust proof water basin
- Easy cleaning thanks to rounded surfaces
- External protective filter, removable, easy to clean
- Internal bin insulation HCFC free
- Conformity to RoHS directive
- Automatic water charge
- Model in Tropical Class + 43 ° C
- Undercounter model

● Available pebble size

Drawing for reference only



● Prod. 24h

Air temp.	Water temp.	Prod. 24h kg
10° C	10° C	96
21° C	15° C	85
32° C	21° C	71

2 Years Warranty

subject to limitations

● Certifications available for this model



www.ntfice.it
info@ntfice.it



ntfice.it



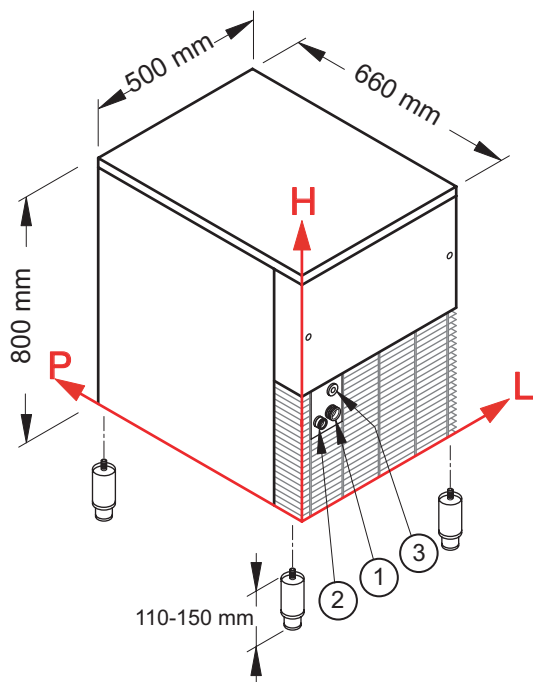
SLT 180



FROZEN STONE



Self-contained ice maker - Pebble system
Daily production up to 96 kg



• Connections

All measures are referred to the rear bottom-left corner (L-H-Ø)

- ① Water inlet:
99 mm - 158 mm - 3/4"
- ② Water outlet:
48 mm - 151 mm - 24 mm
- ③ Electrical connection:
87 mm - 230 mm

• Working conditions

- Location: Indoor

	Min	Max
Ambient temperature	+10° C	+43° C
Water temperature	+3° C	+32° C
Voltage	-10%	+10%
Water inlet pressure	1bar (14 psi)	6bar (84 psi)

• Technical information

Production in 24h	85 kg
Store capacity, up to	30 kg
Cooling system	A - W
Approximate pebble size	8 x 16 x 7
Refrigerant	R404A - R452A
Standard voltage	220-240 V ~ 50 Hz
Electrical consumption	550 W
Fuse	10 A
Water consumption	A: 1 l/kg W: 6,3 l/kg
Sizes (L-P-H mm)	500 - 660 - 800
Sizes with pack (L-P-H mm)	550 - 720 - 990
Net weight	67 kg
Gross weight	72 kg
Finish	AISI 304 stainless steel, scotch brite

All the technical information must be considered at the following conditions:



Sizes without feet



Ambient temperature
+21° C



Water temperature
+15° C



Electrical consumption at +43° C (standard voltage)

Refrigerant R404A

Models and specifications are subject to change without notice
Rev. 01 - Issued May 2018

