



CM 650 Split Rack

LIST OF THE EXPLODED VIEWS



SHELL ASSY

COOLING SYSTEM

HYDRAULIC CIRCUIT

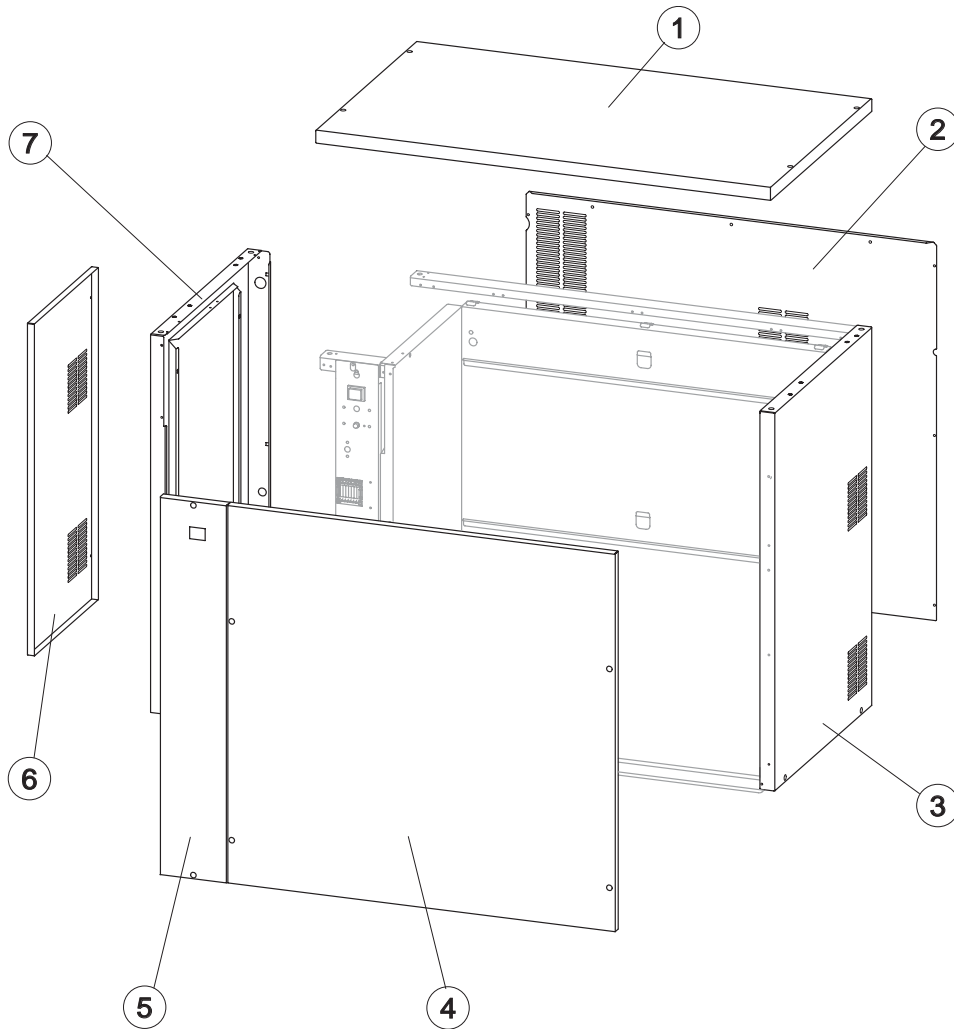
ELECTRIC PARTS

Rev. 00 - 26/10/2018



CM 650 Split Rack

SHELL ASSY



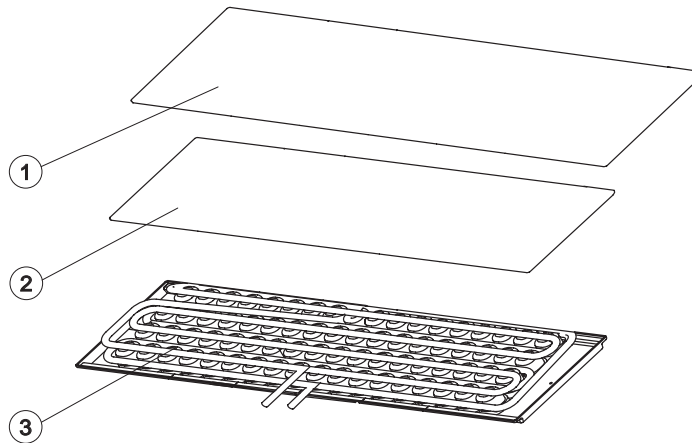
Ref.	Spare Description	Code
1	Top	221283
2	Rear Panel	21524
3	Right Side Panel	22735
4	Front Panel	C22744
5	Front Panel with hole	221282
6	Left Side Panel	22810
7	Left Side Panel	22736

Rev. 00 - 26/10/2018



CM 650 Split Rack

COOLING SYSTEM

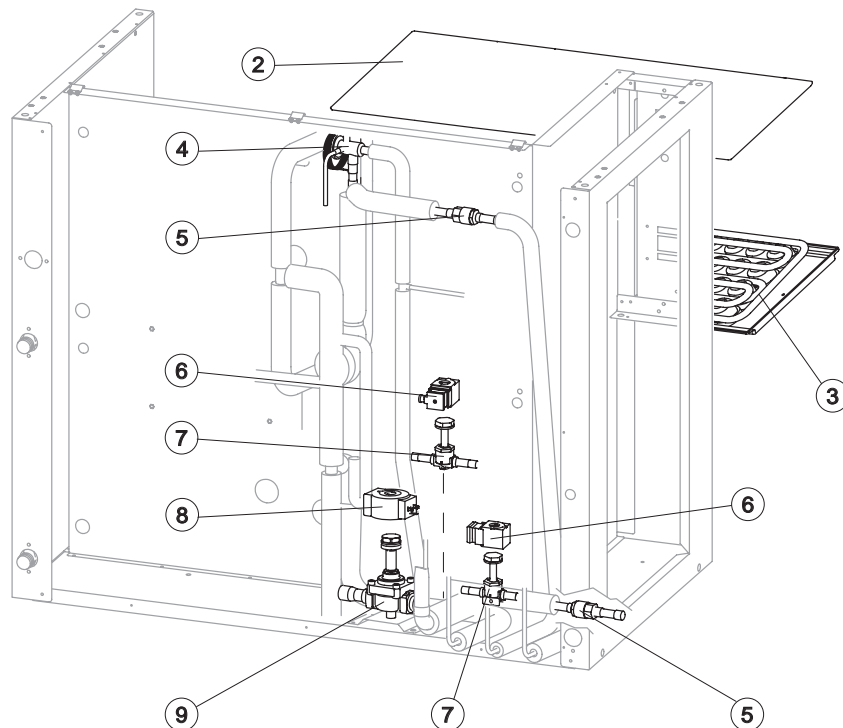


Ref.	Spare Description	Code
1	Upper Evaporator Cover Panel	10439
2	Evaporator Cover Panel	10058
3	Evaporator	See Table
4	Expantion Valve	201006
6	Hot Gas valve Coil	231294
7	Hot Gas valve Body	20409
8	Solenoid valve Coil with Plugs	C231264
9	Solenoid valve Body	201216

Ref. 3 - Evaporator

Kind of Cube	Code
18 g. (Standard)	D10214
33 g.	D10092
13 g.	D10126
42 g.	D10477
60 g.	D10555

Rev. 00 - 26/10/2018

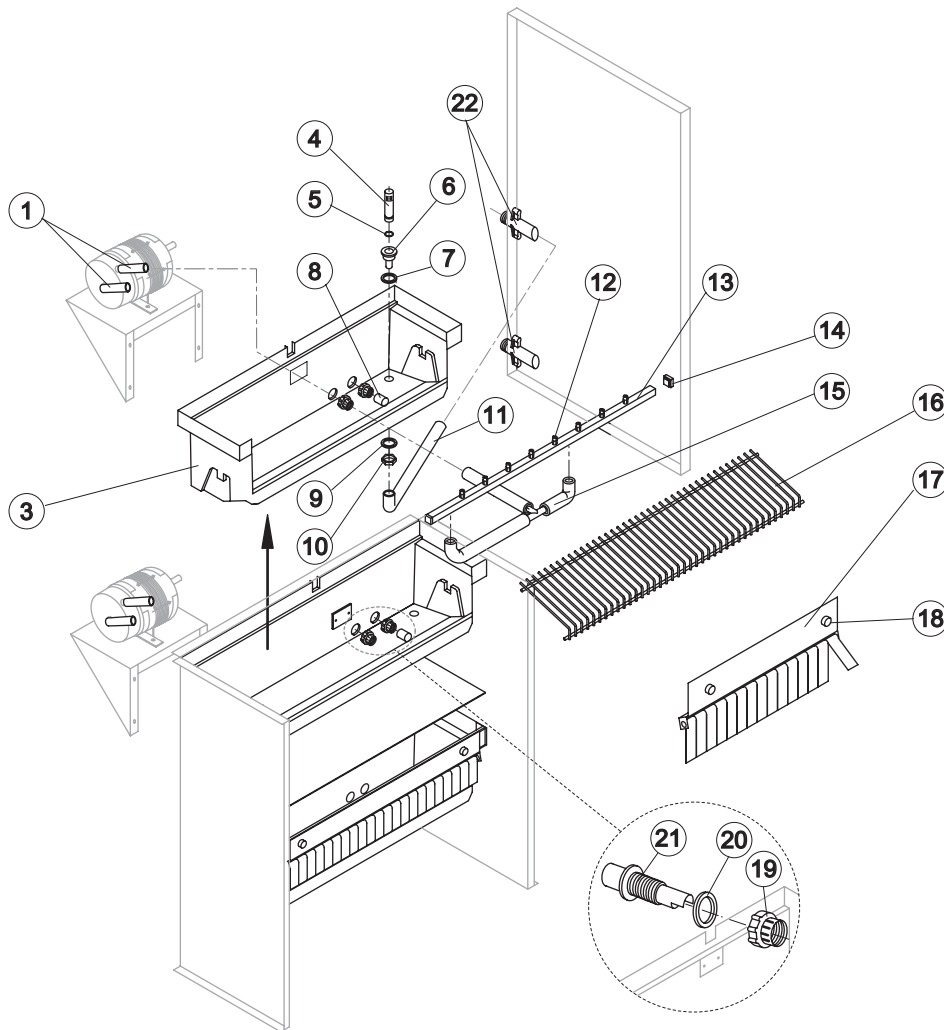




CM 650 Split Rack

HYDRAULIC CIRCUIT

Rev. 00 - 26/10/2018



Ref.	Spare Description	Code
1	Pump Suction/Delivery Pipe	13150
3	Inner Basin	10440
4*	Overflow pipe	10133
5*	OR Gasket for Overflow Pipe	20233
6	Water Outlet Nipple	10471
7	Silicone Gasket	13006
8*	Pump Suction Filter	20005
9	Semirigid polyethylene	13007
10	Bin Discharge Nut	10096
11	Water Discharge Pipe	13054
12	Sprayer	D20002
13*	Sprayer Bar Assembly	See Table
14	Sprayers Bar Plug	10012
15	Sprayers Bar Pipe Connection	C13036
16	Ice Cube Slide	See Table
17	Flag Support Assy	C22134
18	Fixing Screw	20009
19	Fittings Locking Ring	10405
20	Gasket for Pump Suction/ Delivery pipes	13143
21	Fittings Locking Ring	10424
22	Discharge Manifold	C10415

Ref. 13* - Sprayer Bar ass.

Kind of Cube	Code
18 g. (Standard)	C20144
33 g.	C20157
13 g.	C20200
42 g.	C20157
60 g.	C20941

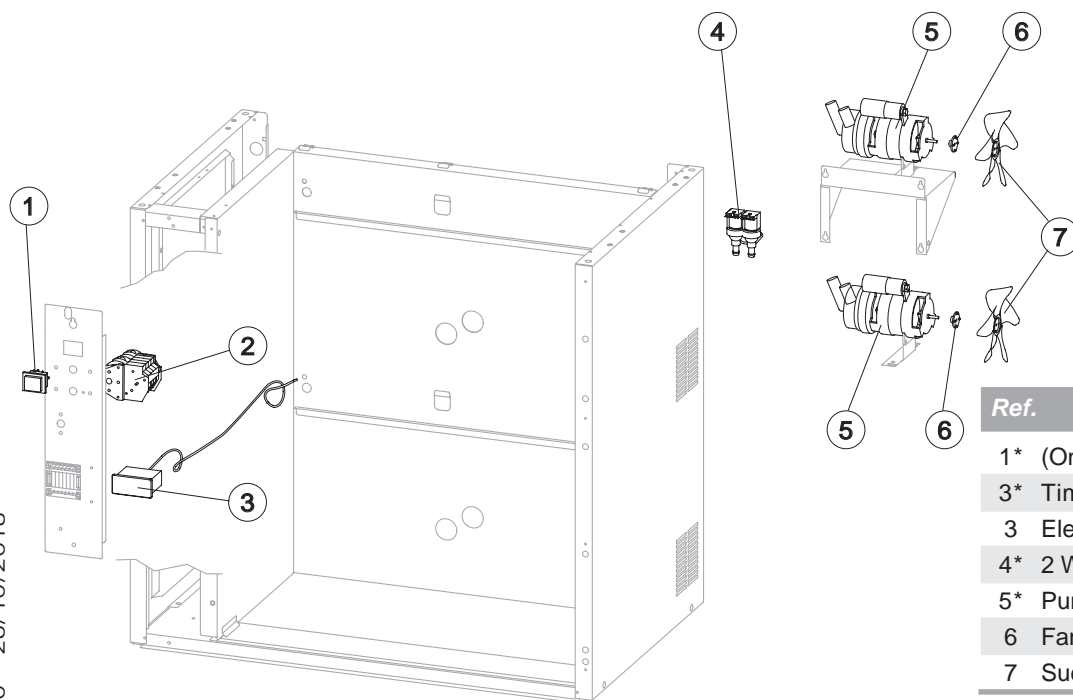
Ref. 16 - Ice Cube Slide

Kind of Cube	Code
18 g. (Standard)	D12022
33 g.	D12033
13 g.	D12040
42 g.	D12033
60 g.	D12084



CM 650 Split Rack

ELETTRIC PARTS



Ref.	Spare Description	Code
1*	(On-Off) Rocker Switch	23327
3*	Timer	see table
3	Eletronic thermostat with probe	C231263
4*	2 Ways-Water Inlet Valve	see table
5*	Pump Assy	C23691
6	Fan Fixing Hub	10014
7	Sucking Fan	10213

Rif. 2* - Timer

Voltage	Cube 18 g	Cube 33 g	Cube 13 g	Cube 42 g	Cube 60 g
T11	23247	23248	23472	23780	23922

Rif. 4* - 2Ways-Water Inlet Valve

Voltage	Cube 18 g	Cube 33 g	Cube 13 g	Cube 42 g	Cube 60 g
T11	23157	23784	23157	23784	23784

Rev. 00 - 26/10/2018