

Split  
1300 CO<sub>2</sub>



FROZEN ICE



Modular ice maker - Scale system  
Daily production 620 kg

### ● Position n°



### ● Application fields

Hotel	●●●●●●●●	Fish market	●●●●●●●●
Restaurant	●●●●●●●●	Supermarket	●●●●●●●●
Fast food	●●●●●●●●	SPA	●●●●●●●●
Bar	●●●●●●●●	Medical	●●●●●●●●
Disco	●●●●●●●●	Industry	●●●●●●●●

### ● Features & Plus

- Subcooled flakes (from -5°C to -10°C)
- 1 m<sup>3</sup> = 430 kg of ice
- Low consumption (1 liter water / 1 kg ice)
- AISI 304 SS Scotch Brite finish
- Evaporator anticorrosive alloy made, with rotating knife
- Cleanable antiscaling filter
- Easy cleaning thanks to rounded surfaces
- FDA approved -ABS plastic components
- Conformity to RoHS directive
- Automatic water charge
- Standard and special voltages
- Model in Tropical Class + 43 ° C
- Pressure limiting valve, PS up to 40 bar

### ● Usable Bins

- Bin T830
- Bin 1200DD
- RB 280
- DRB 1100
- DRB 2500

2 Years  
Warranty

subject to limitations

### ● Certifications available for this model



[www.ntfice.it](http://www.ntfice.it)  
[info@ntfice.it](mailto:info@ntfice.it)



[ntfice.it](http://ntfice.it)



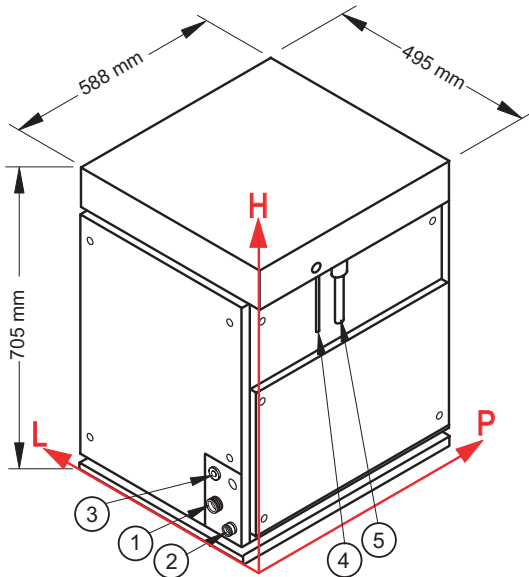
**Split  
1300 CO<sub>2</sub>**



**FROZEN ICE**



**Modular ice maker - Scale system  
Daily production 620 kg**



### ● Connections

All measures are referred to the rear bottom-left corner (L-H-Ø)

- ① Water inlet:  
118 mm - 115 mm - 3/4"
- ② Water outlet:  
68 mm - 60 mm - 24 mm
- ③ Electrical connection:  
118 mm - 199 mm
- ④ Refrigerant feeding pipe
- ⑤ Outlet pipe of gaseous refrigerant

### ● Working conditions

- Location: Indoor

	Min	Max
Ambient temperature	+10° C	+43° C
Water temperature	+3° C	+32° C
Voltage	-10%	+10%
Water inlet pressure	1bar (14 psi)	6bar (84 psi)

### ● Technical information

Production in 24h	620 kg
Refrigerant	CO <sub>2</sub> (R744)
Refrigerant capacity	3500 W (evap. temp. -23° C)
PS suction side	580 PSI - 40bar
Standard voltage	220-240 V ~ 50 Hz
Electrical consumption	180 W
Sizes (L-P-H mm)	495 - 588 - 705
Sizes with pack (L-P-H mm)	550 - 655 - 900
Net weight	73 kg
Gross weight	89 kg
Finish	AISI 304 stainless steel, scotch brite

All the technical information must be considered at the following conditions:



Refrigerant capacity  
3500 W  
(evap. temp. -23° C)



Water temperature  
+15° C



Electrical consumption  
at +43° C  
(standard voltage)

Models and specifications are subject to change without notice  
Rev. 01 - Issued May 2018



[www.ntfice.it](http://www.ntfice.it)  
[info@ntfice.it](mailto:info@ntfice.it)



ntfice.it

