

# Split 1300



## FROZEN ICE



Modular ice maker - Scale system  
Daily production 620 kg

### ● Position n°



### ● Application fields

|            |            |             |            |
|------------|------------|-------------|------------|
| Hotel      | ●●●●●●●●●● | Fish market | ●●●●●●●●●● |
| Restaurant | ●●●●●●●●●● | Supermarket | ●●●●●●●●●● |
| Fast food  | ●●●●●●●●●● | SPA         | ●●●●●●●●●● |
| Bar        | ●●●●●●●●●● | Medical     | ●●●●●●●●●● |
| Disco      | ●●●●●●●●●● | Industry    | ●●●●●●●●●● |

### ● Features & Plus

- Subcooled flakes (from -5°C to -10°C)
- Low consumption (1 liter water / 1 kg ice)
- AISI 304 SS Scotch Brite finish
- Evaporator anticorrosive alloy made, with rotating knife
- Cleanable antiscaling filter
- Easy cleaning thanks to rounded surfaces
- FDA approved -ABS plastic components
- Conformity to RoHS directive
- Automatic water charge
- Standard and special voltages
- Model in Tropical Class + 43 ° C
- 1 m<sup>3</sup> = 430 kg of ice

### ● Usable Bins

- Bin T830
- Bin 1200DD
- RB 280
- DRB 1100
- DRB 2500

## 2 Years Warranty

subject to limitations

### ● Certifications available for this model



[www.ntfice.it](http://www.ntfice.it)  
[info@ntfice.it](mailto:info@ntfice.it)



[ntfice.it](http://ntfice.it)



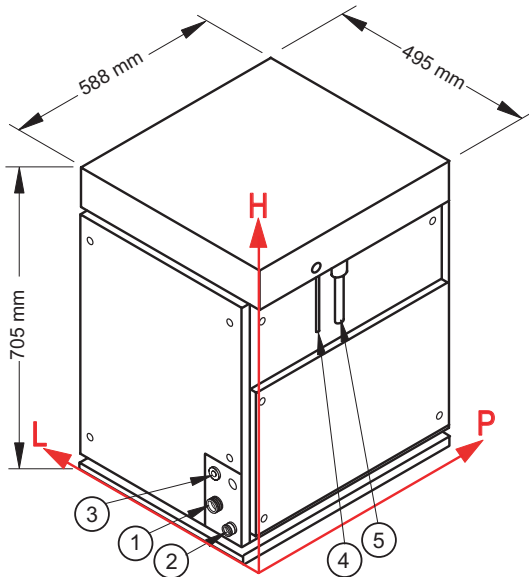
# Split 1300



## FROZEN ICE



Modular ice maker - Scale system  
Daily production 620 kg



### • Connections

All measures are referred to the rear bottom-left corner (L-H-Ø)

- ① Water inlet:  
118 mm - 115 mm - 3/4"
- ② Water outlet:  
68 mm - 60 mm - 24 mm
- ③ Electrical connection:  
118 mm - 199 mm
- ④ Refrigerant feeding pipe
- ⑤ Outlet pipe of gaseous refrigerant

### • Working conditions

- Location: Indoor

|                      | Min           | Max           |
|----------------------|---------------|---------------|
| Ambient temperature  | +10° C        | +43° C        |
| Water temperature    | +3° C         | +32° C        |
| Voltage              | -10%          | +10%          |
| Water inlet pressure | 1bar (14 psi) | 6bar (84 psi) |

### • Technical information

|                            |  |
|----------------------------|--|
| Production in 24h          | 620 kg                                       |
| Refrigerant                | R404A - R507 - R448A - R449A - R407F - R452A |
| Refrigerant capacity       | 3500 W (evap. temp. -22° C)                  |
| Standard voltage           | 220-240 V ~ 50 Hz                            |
| Electrical consumption     | 180 W  |
| Sizes (L-P-H mm)           | 495 - 588 - 705                              |
| Sizes with pack (L-P-H mm) | 550 - 655 - 900                              |
| Net weight                 | 73 kg  |
| Gross weight               | 89 kg  |
| Finish                     | AISI 304 stainless steel, scotch brite       |

All the technical information must be considered at the following conditions:



Refrigerant capacity  
3500 W  
(evap. temp. -22° C)



Water temperature  
+15° C



Electrical consumption  
at +43° C  
(standard voltage)

Refrigerante R404A

Models and specifications are subject to change without notice  
Rev. 01 - Issued May 2018

