

CVC 230



FROZEN RUN



Self-contained ice maker - Vertical evaporator system
Daily production up to 120 kg

• Position n°



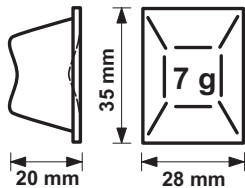
• Application fields

Hotel	●●●●●●●●	Fish market	●●●●●●●●
Restaurant	●●●●●●●●	Supermarket	●●●●●●●●
Fast food	●●●●●●●●	SPA	●●●●●●●●
Bar	●●●●●●●●	Medical	●●●●●●●●
Disco	●●●●●●●●	Industry	●●●●●●●●

• Features & Plus

- Flat cube 7 gr
- Our vertical evaporator provides separated cubes
- External structure AISI 304 Scotch Brite
- Electromechanical functioning
- Air Cooling and Water Cooling systems
- Standard and special voltages
- Insulated retractable door
- ON-OFF switch
- Cleanable antiscaling filter
- External protective filter, removable, easy to clean
- Internal bin insulation HCFC free
- Conformity to RoHS directive
- Easy cleaning thanks to rounded surfaces
- Model in Tropical Class + 43 ° C
- Adjustable stainless steel feet

• Available dice size



• Prod. 24h

Air temp.	Water temp.	Prod. 24h kg
10° C	10° C	120
21° C	15° C	105
32° C	21° C	90

2 Years Warranty

subject to limitations

• Certifications available for this model



www.ntfice.it
info@ntfice.it



ntfice.it



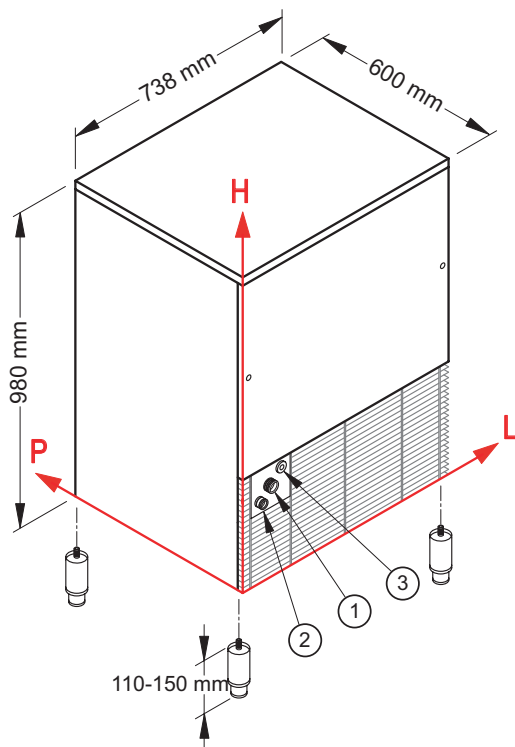
CVC 230



FROZEN RUN



Self-contained ice maker - Vertical evaporator system
Daily production up to 120 kg



● Connections

All measures are referred to the rear bottom-left corner (L-H-Ø)

- ① Water inlet:
116 mm - 245 mm - 3/4"
- ② Water outlet:
54 mm - 200 mm - 24 mm
- ③ Electrical connection:
161 mm - 281 mm

● Working conditions

- Location: Indoor

	Min	Max
Ambient temperature	+10° C	+43° C
Water temperature	+3° C	+32° C
Voltage	-10%	+10%
Water inlet pressure	1bar (14 psi)	6bar (84 psi)

● Technical information

Production in 24h	105 kg
Store capacity, up to	35 kg
Cooling system	A - W
Kind of cube	7 g
Refrigerant	R404A - R452A
Standard voltage	220-240 V ~ 50 Hz
Electrical consumption	850 W
Fuse	10 A
Water consumption	A: 2,5 l/kg W: 14,2 l/kg
Sizes (L-P-H mm)	738 - 600 - 980
Sizes with pack (L-P-H mm)	780 - 640 - 1140
Net weight	75 kg
Gross weight	85 kg
Finish	AISI 304 stainless steel, scotch brite

All the technical information must be considered at the following conditions:



Sizes without feet



Standard Cube (7 g)



Ambient temperature
+21° C



Water temperature
+15° C



Electrical consumption at +43° C (standard voltage)

Refrigerant R404A

Models and specifications are subject to change without notice
Rev. 01 - Issued May 2018



www.ntfice.it
info@ntfice.it



ntfice.it

